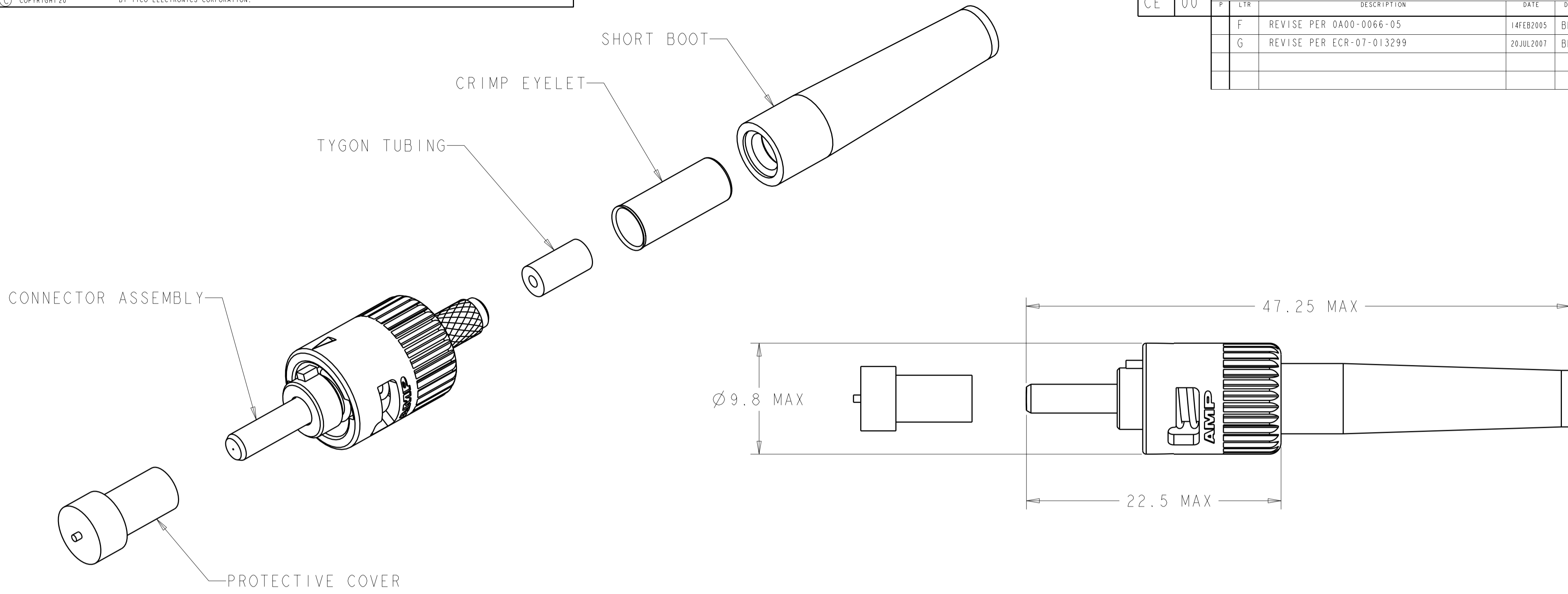


THIS DRAWING IS UNPUBLISHED. RELEASED FOR PUBLICATION 20
 © COPYRIGHT 20 BY TYCO ELECTRONICS CORPORATION. ALL RIGHTS RESERVED.

LOC	DIST	REVISIONS			
P	LTR	DESCRIPTION	DATE	DWN	APVD
	F	REVISE PER 0A00-0066-05	14FEB2005	BB	SB
	G	REVISE PER ECR-07-013299	20JUL2007	BB	SB



⚠ MATERIAL:
 PROTECTIVE COVER: LDPE, COLOR: BLACK, NON-FR.
 CONNECTOR ASSEMBLY:
 FERRULE ASSEMBLY: CERAMIC / ARP-GF30, COLOR: BLACK.*
 SPRING: STAINLESS STEEL.
 COUPLING NUT: PBT-GF17, COLOR: BLACK.*
 RETENTION RING: STAINLESS STEEL.
 CRIMP EYELET: TIN PLATED COPPER.
 SHORT BOOT: TPE, COLOR: BLACK.*
 TYGON TUBING: TYGON, COLOR: CLEAR.
 *UL94 V-0 RATED AT QUALIFYING THICKNESS.

SHORT BOOT	125um	503571-1
DESCRIPTION	FIBER SIZE	PART NUMBER

THIS DRAWING IS A CONTROLLED DOCUMENT FOR TYCO ELECTRONICS CORPORATION. IT IS SUBJECT TO CHANGE AND THE CONTROLLING ENGINEERING ORGANIZATION SHOULD BE CONTACTED FOR THE LATEST REVISION.		DWN B. BRIGGS 14FEB2005	Tyco Electronics Harrisburg, PA 17105-3608	
DIMENSIONS: mm		CHK S. BUCHTER 14FEB2005		
TOLERANCES UNLESS OTHERWISE SPECIFIED:		APVD S. BUCHTER 14FEB2005	NAME CONNECTOR KIT, CERAMIC OVERMOLDED, BAYONET	
0 PLC ±- 1 PLC ±- 2 PLC ±- 3 PLC ±- 4 PLC ±- ANGLES ±- FINISH		PRODUCT SPEC -	SIZE A200779	
MATERIAL ⚠ -		APPLICATION SPEC -	DRAWING NO 503571	
		WEIGHT -	RESTRICTED TO -	
		CUSTOMER DRAWING	SCALE 4:1 SHEET 1 OF 1 REV G	